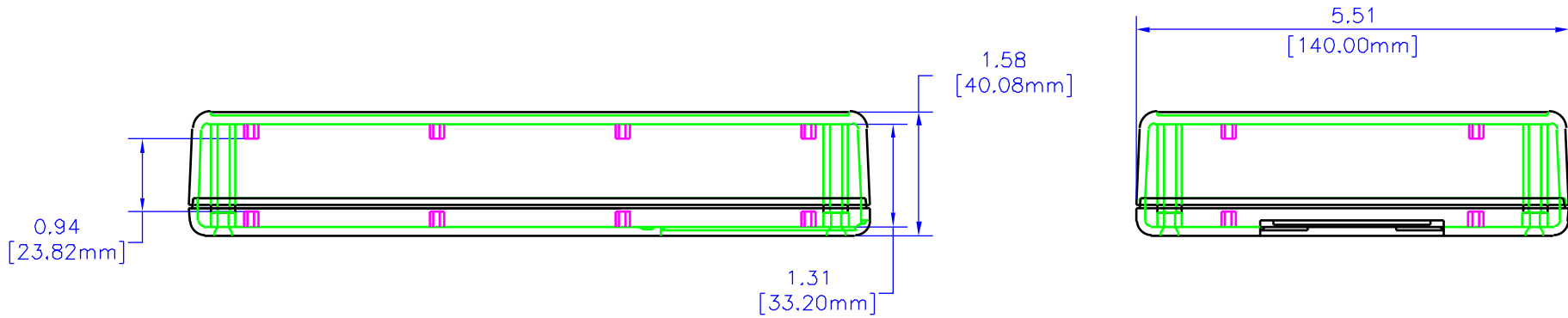
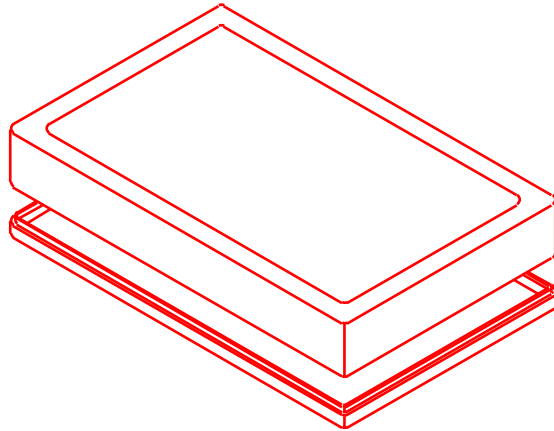


REV	DESCRIPTION	DATE
A	REVISED SIDE HOLE LOCATIONS; ADDED MATERIAL DEPTH DETAIL.	08/14/01



ASSEMBLED

NOTES

- MATERIAL** (ABS) FLAME RETARDANT UL94 V0 MATERIAL WITH BRASS INSERTS IN CORNER POSTS.
(STYRENE) IS NON-FLAME RETARDANT WITHOUT BRASS INSERTS.
- PARTS** (ABS) VERSION MACHINE SCREWS M3-0.5 x 10mm, REPLACEMENT PN 1591MS100 (100 / BAG), (STYRENE) VERSION SELF TAPPING #4 x 0.5", REPLACEMENT PN 1591TS100 (100 / BAG).
- COLORS** (ABS) BLACK, & GRAY, (STYRENE) GRAY ONLY.

UNLESS OTHERWISE SPECIFIED
DIMENSIONS ARE IN INCHES

F	+/- .1
XX	+/- .02
XXX	+/- .015
DITS	+/- .005
ANGLES	+/- .5 DEG

NOTE:
HAMMOND CLEARS PROPRIETARY RIGHTS TO THE MATERIAL ON THIS DRAWING. IT IS INTENDED TO BE USED AS A REFERENCE FOR ENGINEERING INFORMATION ONLY. THIS INFORMATION MAY NOT BE USED TO MANUFACTURE PRODUCT WITHOUT WRITTEN PERMISSION FROM HAMMOND MANUFACTURING.

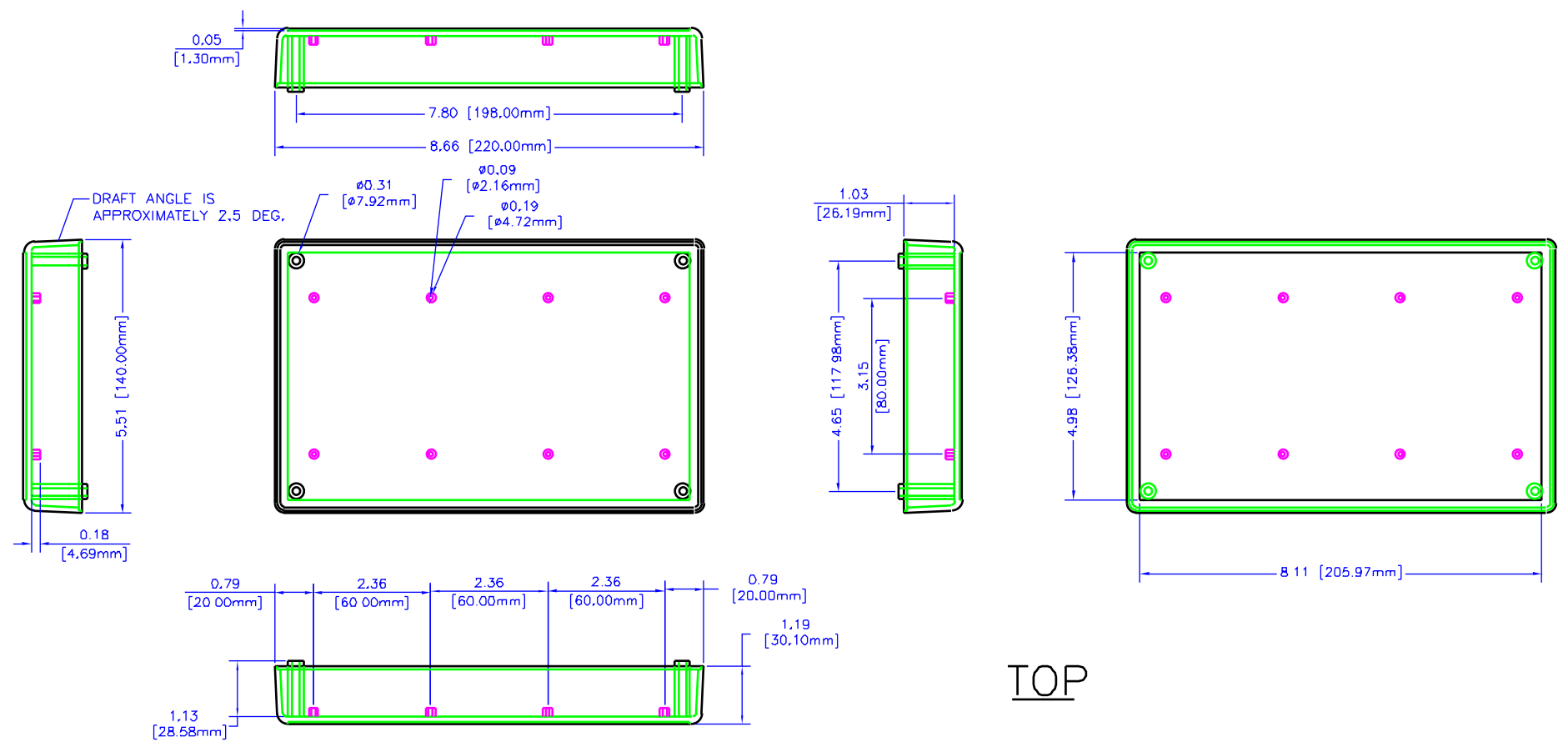


**HAMMOND
MANUFACTURING**

WEB: WWW.HAMMONDMFG.COM

TITLE HAMMOND 1599 SERIES PLASTIC ENCLOSURE	
DRAWN BY MJM	DATE 07/06/01
SCALE	PAGE 1 OF 3
PART NUMBER 1599KBAT	

NOTES



TOP

UNLESS OTHERWISE SPECIFIED
DIMENSIONS ARE IN INCHES

X	+/- .1
XX	+/- .02
XXX	+/- .015
CUTS	+/- .005
ANGLES	+/- .5 DEG.

TOLERANCES

HAMMOND CLAIMS PROPRIETARY RIGHTS TO THE MATERIAL ON THIS DRAWING. IT IS INTENDED TO BE USED AS A REFERENCE FOR ENGINEERING INFORMATION ONLY. THIS INFORMATION MAY NOT BE USED TO REPRODUCE OR MANUFACTURE PRODUCTS WITHOUT PERMISSION FROM HAMMOND MANUFACTURING.



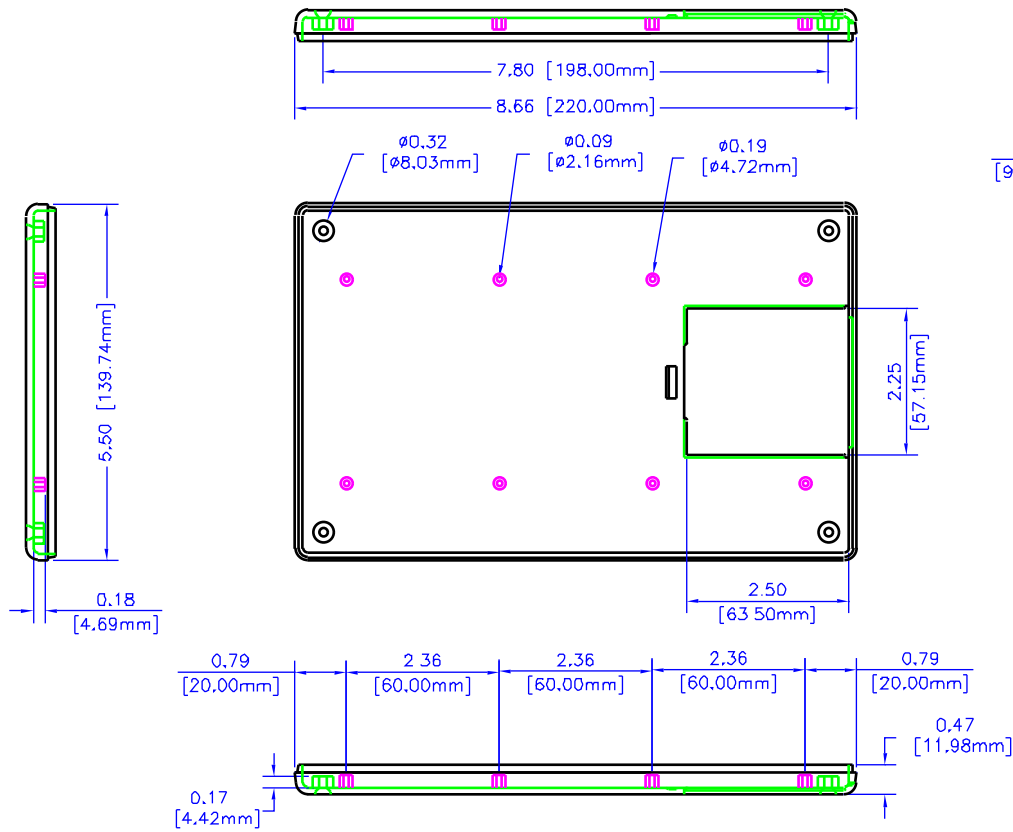
**HAMMOND
MANUFACTURING**

WEB: WWW.HAMMONDMFG.COM

TITLE		HAMMOND 1599 SERIES PLASTIC ENCLOSURE	
DRAWN BY	MJM	DATE	07/06/01
SCALE		PAGE	2 OF 3
PART NUMBER		1599KBAT	

NOTES

BATTERY LID IS REMOVED
IN ALL VIEWS



BOTTOM

UNLESS OTHERWISE SPECIFIED
DIMENSIONS ARE IN INCHES
X +/- .1
XX +/- .02
XXX +/- .015
CUTS +/- .005
ANGLES +/- 5 DEG
SCALE



**HAMMOND
MANUFACTURING**

WEB: WWW.HAMMONDMFG.COM

TITLE
HAMMOND 1599 SERIES
PLASTIC ENCLOSURE

DRAWN BY MJM DATE 07/06/01

SCALE PAGE 3 OF 3

PART NUMBER

1599KBAT